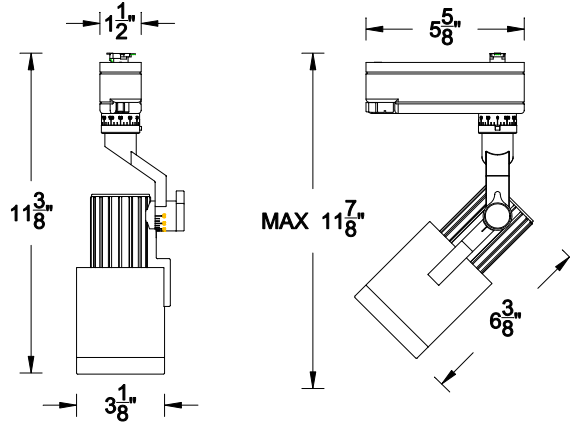


CATALOG NUMBER	TYPE
PROJECT	

VAMP SPOT - LOW VOLTAGE TRACK HEAD

SERIES LED203



Ordering Matrix		
Model	Beam Spread / Color Temperature	Finish
[]	[]	[]
JHT-LED203	SW =10°,3000K SC =10°,4500K FW =25°,3000K FC =25°,4500K	BK = Black WT = White PT = Platinum

Ordering Example (Model-Beam Spread-Finish) : JHT-LED203SW-WT

Product Details	Specification Features
<p>Description: Energy Efficient, low voltage track fixture using 3 X 3W LED lamps provides quality accent lighting. Designed for use on WAC J & J2 tracks. May be used on W2 Two Circuit track with converter</p> <p>Materials: Die-cast aluminum fixture. Clear lens included</p> <p>Driver: 700mA constant current LED driver</p> <p>Input Voltage: 120V AC (60Hz) Input Current : 0.22A Output Voltage: 21V DC Max. Output Current: 700mA</p> <p>Fixture Load: 9W Max</p> <p>Aiming: 350° horizontal rotation and 90° vertical aiming</p> <p>Lamping: Using 3 X 3W LED lamps</p> <p>Color Temperature: 3000K 4500K Total Light Output: 330lm 390lm</p> <p>Finish: Powder coat paint finish. Available in Black (BK), White (WT), Platinum (PT).</p> <p>Listing: UL & CUL Listed. Patent Pending.</p>	<ul style="list-style-type: none"> Die-cast aluminum fixture with degree dial for precise aiming Push button to aim and lock Compatible to other manufacturers track system. Consult factory for specific details LED Junction temperature below 80 degree Celsius LED lamp life up to 50,000 hours Integral LED engine to the fixture, no visible heat sink CRI of 85 5 year product warranty

Track Adaptor Information

Standard Adaptor
For J and J2 style tracks



JCLIP Ordered when using track heads on 2nd circuit of J2



Converter Information

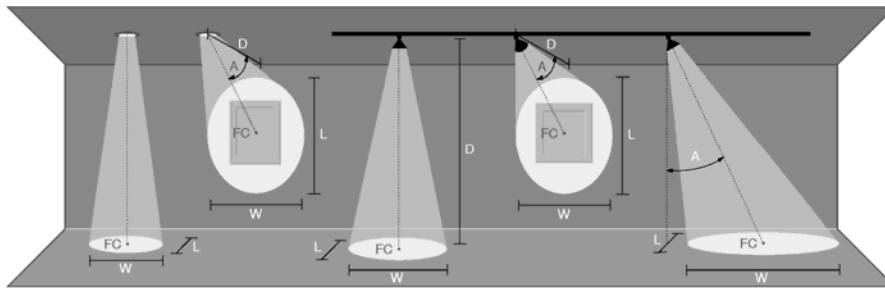
CV-2T-LV ordered when using on 120V W2 2-circuit track



Compatible Accessories –USE SIZE 20

• Dichroic Lens LENS-20-DIC-COLOR	• Beam Elongator LENS-20-BEL	• Cross Louver LENS-20-CRL
• UV Filter LENS-20-UV	• Beam Soft /Beam Spread Lens LENS-20-BSL / LENS-20-SPR	• Snoot LENS-20-SNOOT
• IR Filter LENS-20-IR	• Block Screen LENS-203-BS/ LENS-204-BS/ LENS-205-BS	• Honeycomb Louver LENS-20-HCL
• UV- IR Filter LENS-20-UI	• Hood (for wall-washing) HOOD-20-BK	• Barn Door TL-20-BD

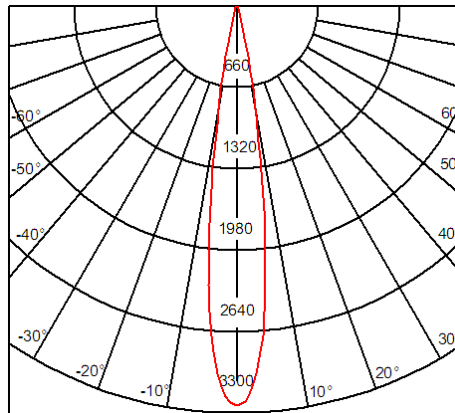
Photometry



D Distance To Fixture From Wall Or Floor
FC Initial Footcandle Level At Center Of Beam
L Beam Length (where candlepower drops to 50% of maximum)
W Beam Width (where candlepower drops to 50% of maximum)

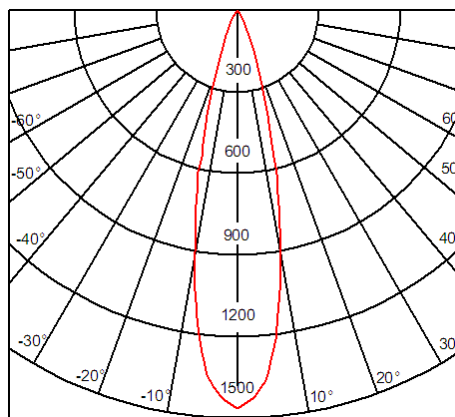
JHT-LED203SW (12DEG)			
0° Aiming Angle			
D(ft)	FC	W	L
6	90	1.3	1.3
9	40	1.9	1.9
12	23	2.5	2.5
15	14	3.2	3.2
45° Aiming Angle			
D(ft)	FC	W	L
6	32	2.6	1.8
9	14	3.8	2.7
12	8	5.1	3.6
15	5	6.4	4.5

CBCP =3240, Beam Angle = 12°



JHT-LED203FW (25 DEG)			
0° Aiming Angle			
D(ft)	FC	W	L
6	40	2.1	2.1
9	18	3.2	3.2
12	10	4.2	4.2
15	6	5.3	5.3
45° Aiming Angle			
D(ft)	FC	W	L
6	14	4.4	3.0
9	6	6.6	4.5
12	4	8.7	6.0
15	2	10.9	7.5

CBCP =1440, Beam Angle = 25°



The above photometric data is for 3000K LED. For 4500K, multiply by 1.2.